



# Town Square® S Right Height® Elongated One-Piece Toilet with Seat

Vitreous China

## Town Square® S Right Height® Elongated One-Piece Toilet with Seat

### ☐ 2851A104

- LXP® (Luxury Performance) toilet
- 12" (305 mm) rough-in
- Right Height elongated siphon action bowl with smooth-sided, concealed trapway
- High efficiency, ultra-low consumption (1.28 gpf/4.8 Lpf), utilizes 20% less water
- Meets EPA WaterSense® criteria
- EverClean® surface included
- PowerWash® rim scrubs bowl with each flush
- 16-1/2" (419 mm) rim height for accessible applications
- 2-1/8" (54 mm) trapway
- 3" (76 mm) flush valve
- Chrome trip lever is supplied
- Includes slow-close seat and cover with easy lift-off feature
- 1,000g MaP Score\*\* at 1.28 gpf
- 10-year warranty
- Design coordinates with Town Square® S suite of fixtures and faucets

### ☐ 2851A105 Same as above except trip lever on right side

#### Nominal Dimensions:

30-1/4" x 16-1/8" x 30-9/16"  
(768 x 416 x 776 mm)

Fixture only, supply sold separately

#### Compliance Certifications -

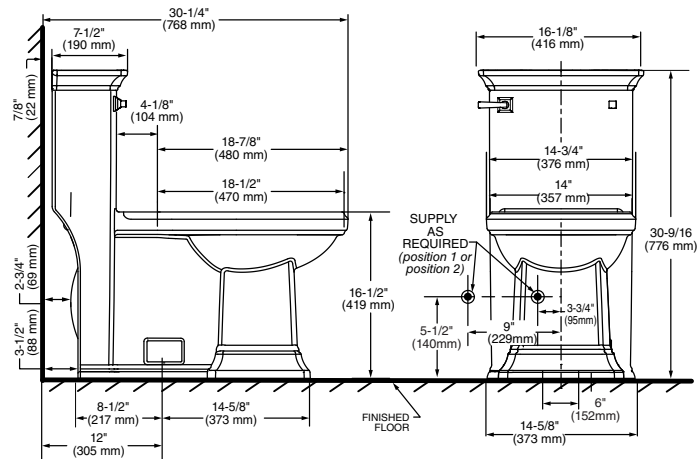
#### Meets or Exceeds the Following Specifications:

- ASME A112.19.2/CSA B45.1
- US EPA WaterSense® Specification for HETs

**To Be Specified:**

☐ Color: ☐ White ☐ Linen

☐ Supply with Stop:



#### NOTES:

THIS COMBINATION IS DESIGNED TO ROUGH-IN AT A MINIMUM DIMENSION OF 305MM (12") FROM FINISHED WALL TO C/L OF OUTLET. \* DIMENSIONS SHOWN FOR LOCATION OF SUPPLY ARE SUGGESTED. SUPPLY NOT INCLUDED WITH FIXTURE AND MUST BE ORDERED SEPARATELY.

**IMPORTANT:** Dimensions of fixtures are nominal and may vary within the range of tolerance established by ANSI Standard A112.19.2. These measurements are subject to change or cancellation. No responsibility is assumed for use of superseded or voided pages.



\*\* Maximum Performance (MaP) testing performed by IAPMO R&T Lab. MaP Report conducted by Gauley Associates Ltd. and Koeller and Company.

